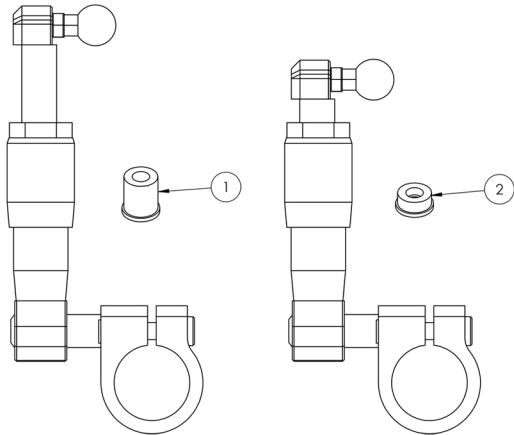


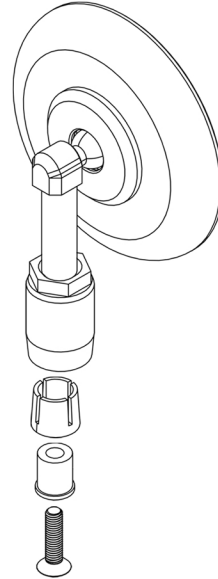
WARNING:

Installation should be performed by a certified motorcycle mechanic.

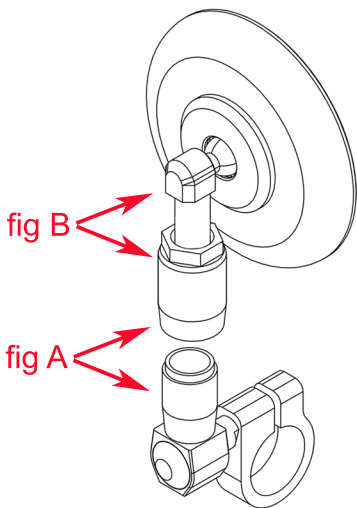
STEP 1: Decide mirror length option. Choose item 1 (allows the maximum extension of the mirror) or item 2.



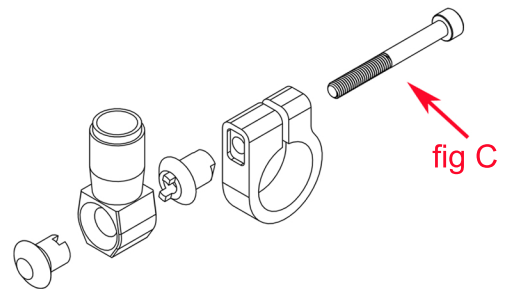
STEP 2: Install in the sequence illustrated below using the flathead bolt. Apply blue thread locking agent.



STEP 3: Fasten collet nut onto body - it does not have to be tight yet (fig A). The final tightening should be performed while the mirror assembly is installed on the motorcycle.



STEP 4: Install mirror assembly onto handlebar or bar end mirror adapter (sold separately). Be sure all pcs are seated properly and tighten bolt enough so mirror does not drop.



STEP 5: Once desired mirror length and angle is determined use a 12mm wrench to hold rod head (fig B) while tightening 16mm nut. Tighten clamp bolt (fig C). Check there is no interference before riding with throttle, brake, clutch and any other parts.